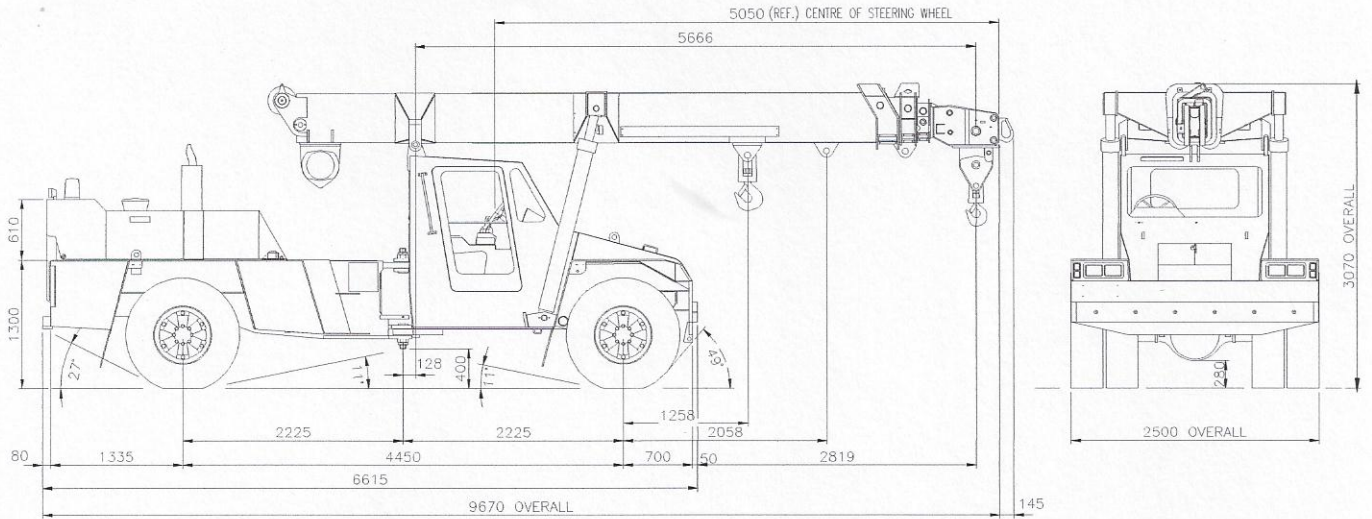


UNLESS OTHERWISE STATED ALL WELDING TO AS1554 CATEGORY SP AND ALL DIMENSIONS IN (mm) & TOLERANCED TO LIMITS SHOWN.		AS 1100	DATE	26/10/04
NOMINAL SIZE		DO NOT SCALE	DRN	DJF
UP TO 150	ABOVE 150 UP TO 300	ABOVE 300 UP TO 1000	ABOVE 1000	SHEET SIZE
±0.1	±0.25	±0.5	±1.0	A3
MACHINING		SCALE 1:125		APPD
±0.5	±1.0	±1.5	±2.5	
REV	CHANGE DETAILS	CHG No.	BY	INTER
				DATE
FRANNA CRANES PTY LTD <small>A.C.N. 010 671 046</small> <small>MOBILE CRANE MANUFACTURERS</small>			TITLE RADIUS LOAD CHART 16T013- AT-20 CRANE	
			DRG No.	REV
			16-T-013	-

THIS DRAWING SHALL REMAIN THE SOLE PROPERTY OF FRANNA CRANES PTY. LTD. & MUST NOT BE COPIED OR DISCLOSED WITHOUT THEIR WRITTEN APPROVAL. PRODUCT No. : 16T013-

INFORMATIONAL DATA



Crane Dimensions

Length (carrier)	6 615
Width	2 500
Height (with Boom)	3 070
Length Overall	9 670
Wheelbase	4 450
Front Axle Weight	8 000 kg
Rear Axle Weight	11 500 kg